

Plastic Flowmeter

LZB-()S series plastic flowmeter

■ Summary

LZB-()S plastic tube flowmeter is featured with light weight, corrosion resistant, unbreakable, innoxious, tasteless and convenient. It is widely used in chemical industry, light industry, pharmacy, food, environment protection etc.

■ Outline and Installation Size

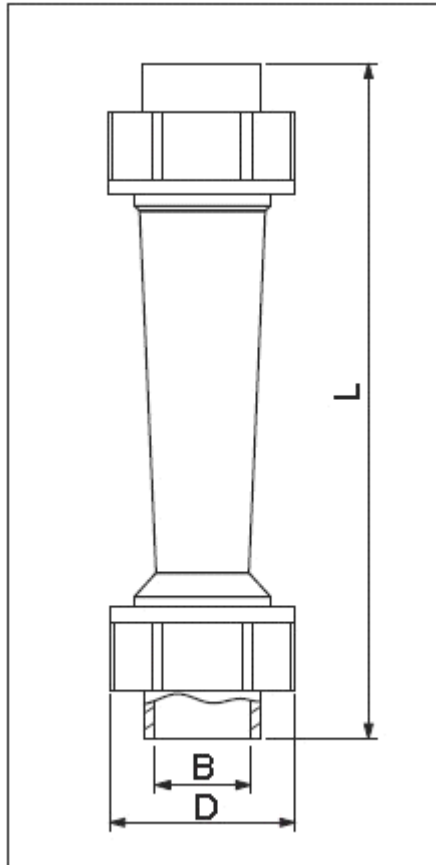


Fig.1

Table 1

Parts	Materials
Bolts	ABS
Stop	
Float	
Connection	
Taper tube	AS
Seals	NR

Changzhou Chengfeng Flowmeter Co.,Ltd

Tel:86-519-85327611(Export Dept.) Switchboard:86-519-85503588/85503688

Fax:86-519-85505269,86-519-85503588-8008

Http://www.qf-meter.com

Plastic Flowmeter

■ Technical Parameter

Short tube type										
DN(mm)	Model	Measuring range	Size(mm)			Welding pipe size(mm)	Threaded pipe size(mm)	Accuracy	Pressure (MPa)	Temperature (°C)
			L	B	D					
15	LZB-15S	6~60L/h	200	20	45	20	G1/2"	4	≤0.6	0~40 Medium is water, weak acid, weak base
		10~100L/h								
25	LZB-25S	0.1~1m ³ /h	226	32	60	32	G3/4"			
		0.16~1.6m ³ /h								
		0.25~2.5m ³ /h								
32	LZB-32S	0.3~3m ³ /h	288	40	74	40	G1"			
		0.4~4m ³ /h								
50	LZB-50S	0.6~6m ³ /h	341	63	98	63	G1 1/2"			
		1~10m ³ /h								
65	LZB-65S	1.6~16m ³ /h	430	75	122	75	G2"			
		5~25m ³ /h								
		8~40m ³ /h								
		12~60m ³ /h								

Long tube type										
DN(mm)	Model	Measuring range	Size(mm)			Welding pipe size(mm)	Threaded pipe size(mm)	Accuracy	Pressure (MPa)	Temperature (°C)
			L	B	D					
15	LZB-15SL	10~100L/h	280	20	45	20	G1/2"	4	≤0.6	0~40 Medium is water, weak acid, weak base
		16~160L/h								
		25~250L/h								
		40~400L/h								
		60~600L/h								
25	LZB-25SL	100~1000L/h	380	32	68	32	G3/4"			
		160~1600L/h								
		250~2500L/h								
		300~3000L/h								
50	LZB-50SL	0.4~4m ³ /h	435	63	98	63	G1 1/2"			
		0.6~6m ³ /h								
		1~10m ³ /h								
		1.6~16m ³ /h								

Changzhou Chengfeng Flowmeter Co.,Ltd

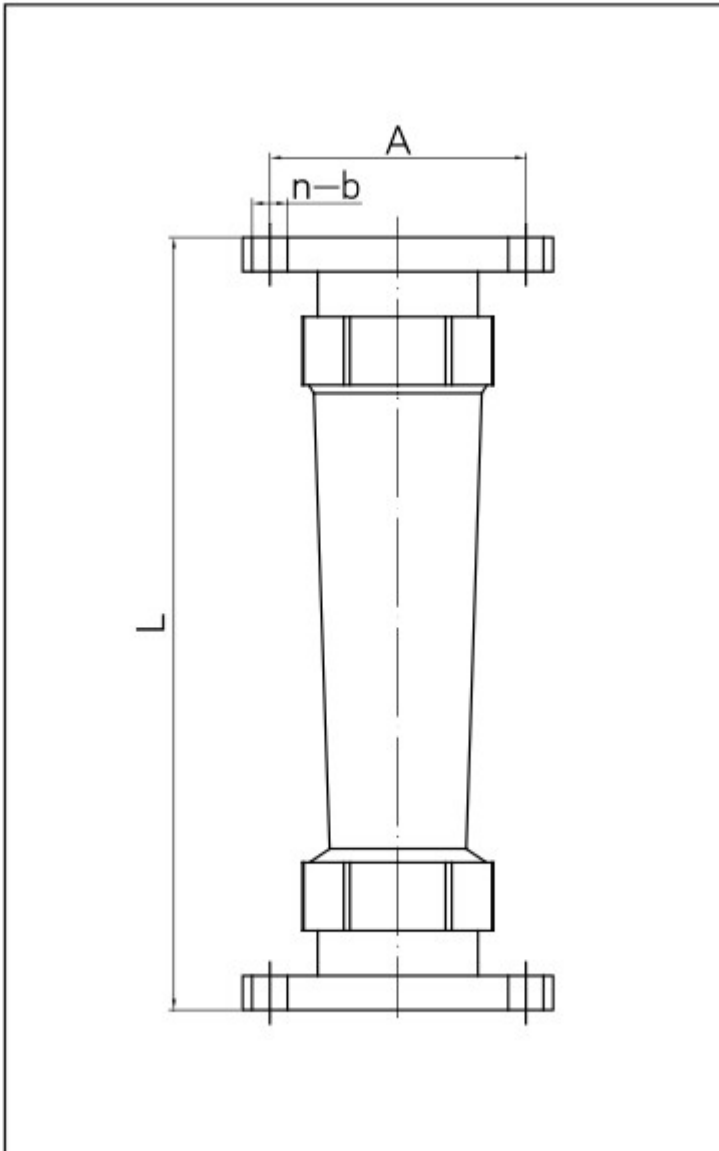
Tel:86-519-85327611(Export Dept.) Switchboard:86-519-85503588/85503688

Fax:86-519-85505269,86-519-85503588-8008

Http://www.qf-meter.com

Plastic Flowmeter

■ Outline and Installation Size



Changzhou Chengfeng Flowmeter Co.,Ltd

Tel:86-519-85327611(Export Dept.) Switchboard:86-519-85503588/85503688

Fax:86-519-85505269,86-519-85503588-8008

Http://www.qf-meter.com

Plastic Flowmeter

■ Technical Parameter

Flange type								
DN(mm)	Model	Measuring range	Size(mm)			Accuracy	Pressure (MPa)	Temperature(°C)
			L	A	n-d			
15	LZB-15S	6~60L/h	240	Φ 65	4- Φ 14	4	≤0.6	0~40 Medium is water,weak acid,weak base
	LZB-15SL	10~100L/h	320					
25	LZB-25S	0.1~1m ³ /h	282	Φ 85	4- Φ 14			
	LZB-25SL	0.16~1.6m ³ /h 0.25~2.5m ³ /h	432					
32	LZB-32S	0.4~4m ³ /h 0.6~6m ³ /h	351	Φ 100	4- Φ 18			
50	LZB-50S	1~10m ³ /h	425	Φ 125	4- Φ 18			
	LZB-50SL	1.6~16m ³ /h	519					
65	LZB-65S	5~25m ³ /h 8~40m ³ /h 12~60m ³ /h	528	Φ 145	4- Φ 18			
100	LZB-100S	8~50m ³ /h 14~90m ³ /h 16~120m ³ /h	555	Φ 180	8- Φ 18			
125	LZB-125S	25~150m ³ /h 25~180m ³ /h 25~200m ³ /h	555	Φ 210	8- Φ 18			
150	LZB-150S	25~150m ³ /h 25~180m ³ /h 25~200m ³ /h	555	Φ 240	8- Φ 22			

Changzhou Chengfeng Flowmeter Co.,Ltd

Tel:86-519-85327611(Export Dept.) Switchboard:86-519-85503588/85503688

Fax:86-519-85505269,86-519-85503588-8008

Http://www.qf-meter.com